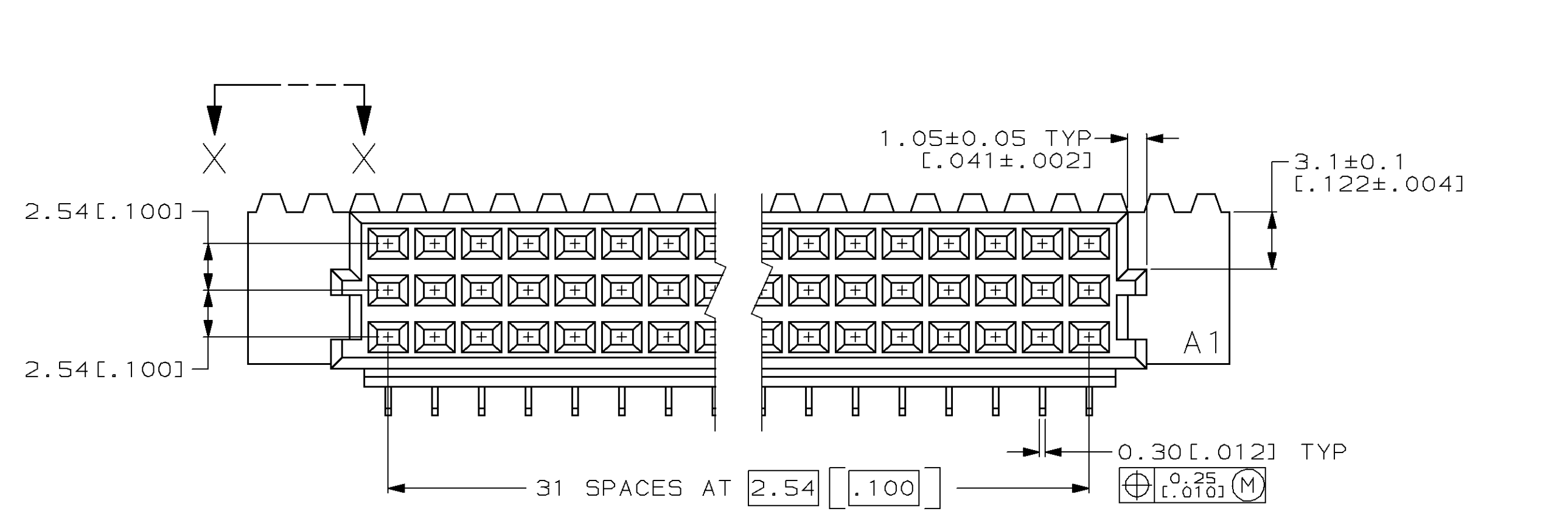
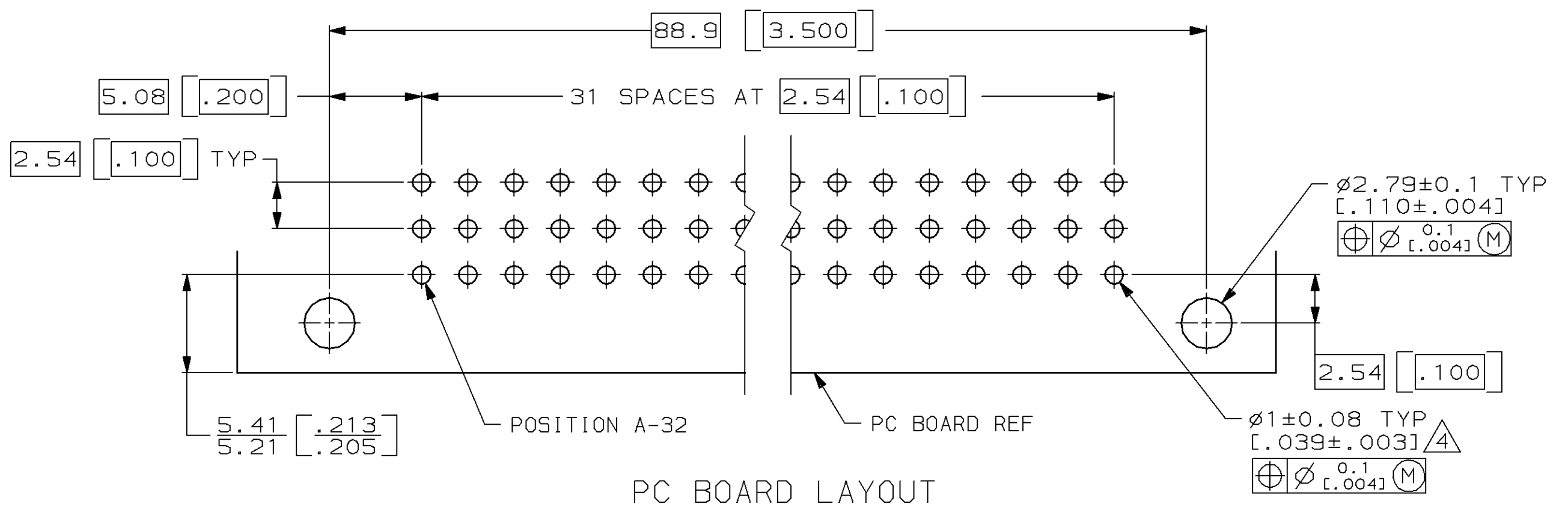
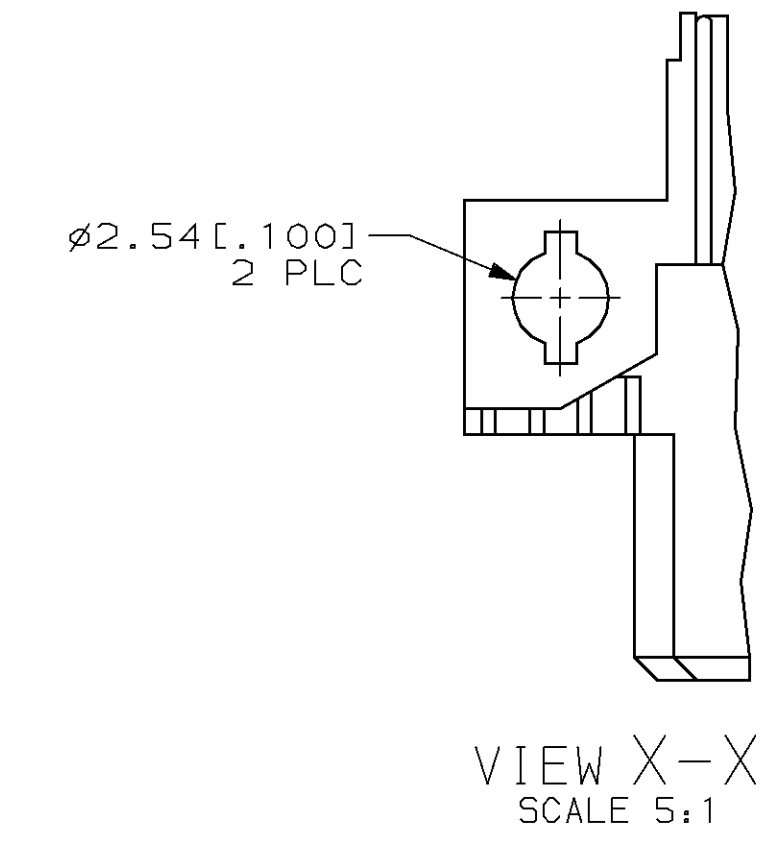
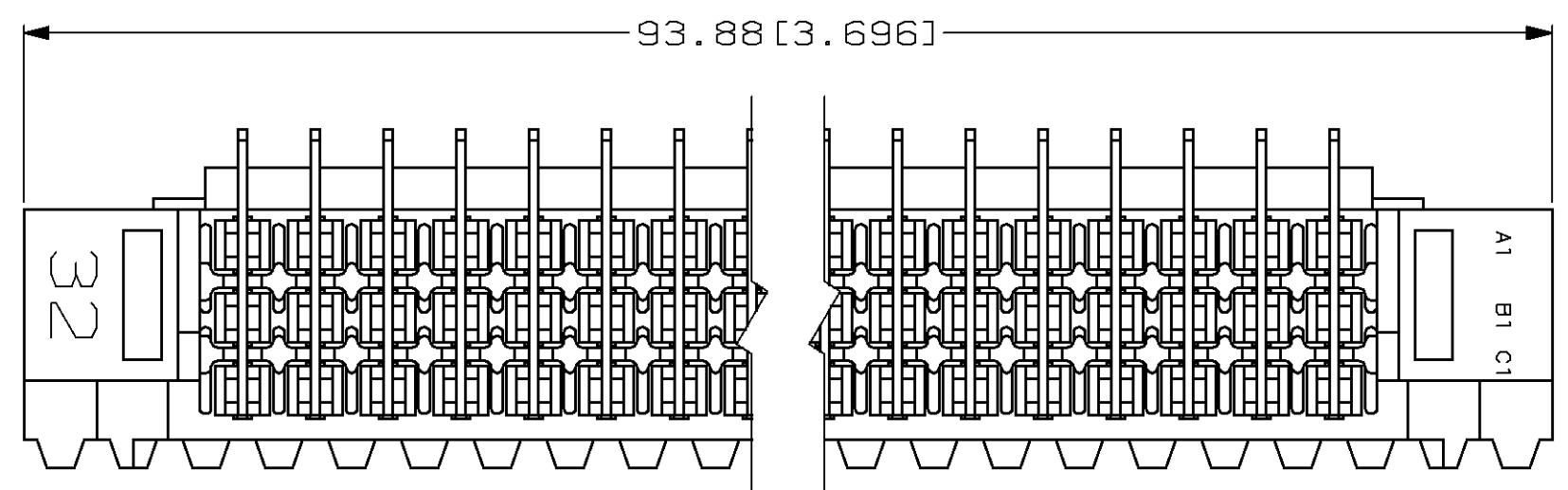
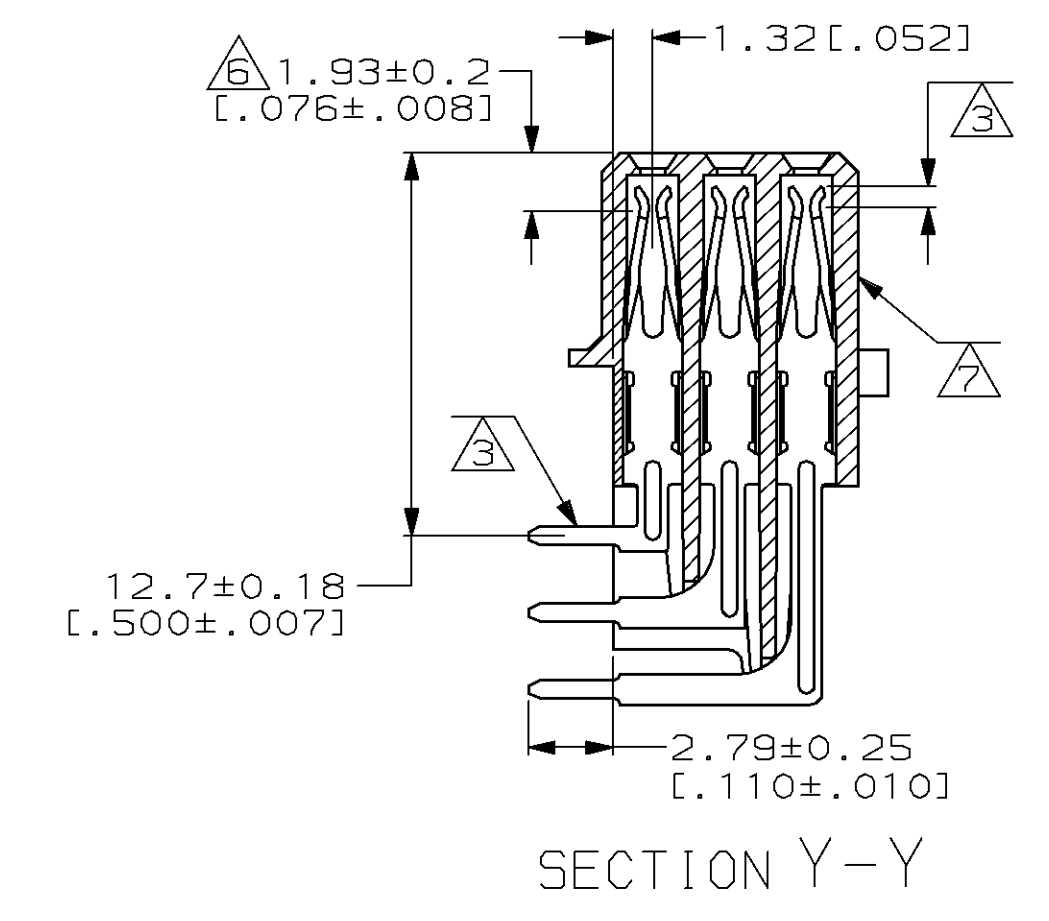
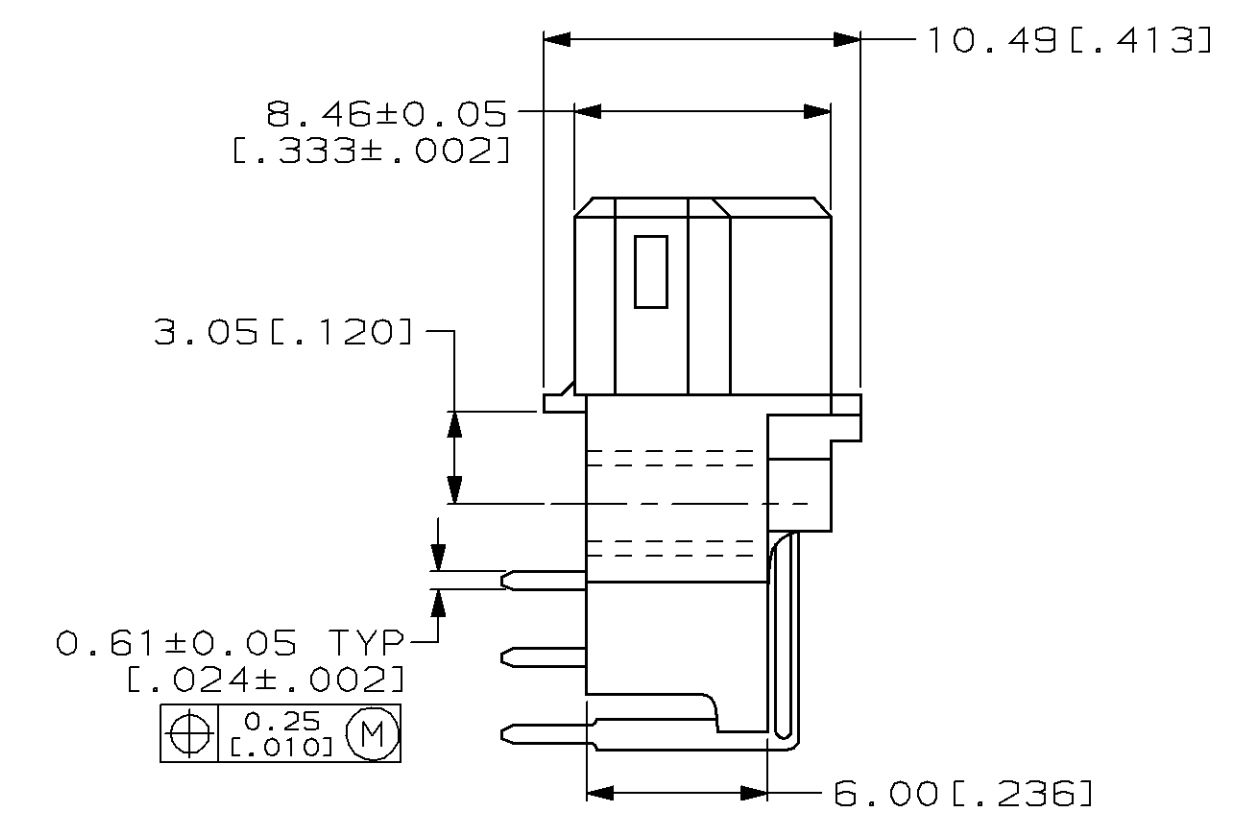
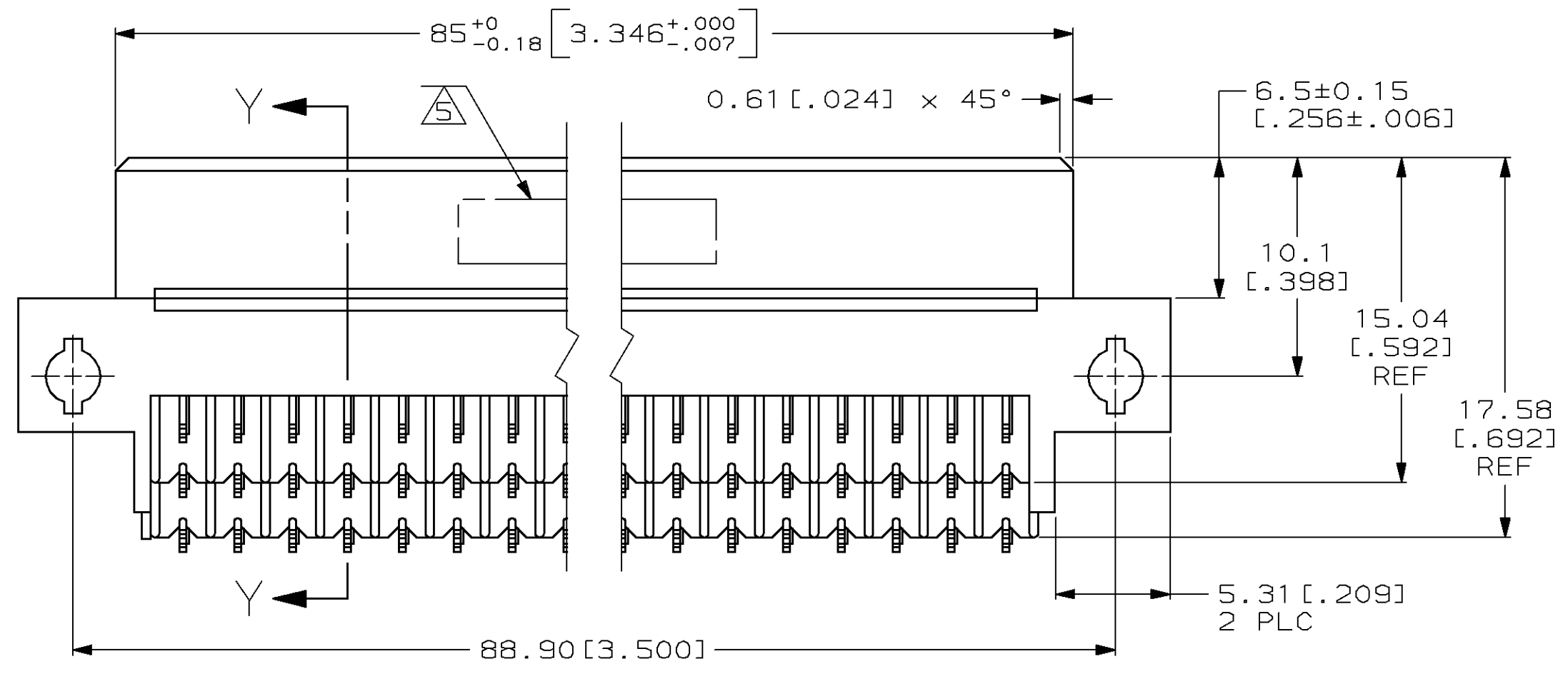


LOC		DIST		REVISIONS			
AD	25	REV	LYR	DESCRIPTION	DATE	DNW	APVD
		0		DRAWN; WAS 95-5653-186-1		-	-



- 1 HOUSING MATERIAL: GLASS-FILLED POLYESTER. COLOR: GRAY.
- 2 CONTACT MATERIAL: PHOSPHOR BRONZE.
- 3 CONTACT FINISH: 0.00076 [0.00030] GOLD IN CONTACT AREA. 0.00127 [0.00050] NICKEL UNDERPLATE ALL OVER. TIN-LEAD PLATE ON POSTS.
- 4 RECOMMENDED HOLE SIZE FOR MANUAL APPLICATION OF CONNECTOR ONTO PC BOARD.
- 5 PART NUMBER, DATE CODE IDENTIFICATION, CSA LOGO HOT-STAMPED THIS APPROXIMATE AREA.
- 6 CONTACT POINT.
- 7 HOT-STAMPING ON THIS SIDE.



148216-4  
PART NUMBER

<small>THIS DRAWING IS A CONTROLLED DOCUMENT FOR AMP INCORPORATED. IT IS SUBJECT TO CHANGE AND THE CONTROLLING ENGINEERING DEPARTMENT SHALL BE CONTACTED FOR THE LATEST REVISION.</small>		DWN: BRINER 9/7/95- OK: RICHARD 9/7/95- APVD: RICHARD 9/7/95- NAME: RICHARD	<b>AMP</b> AMP Incorporated Harrisburg, PA 17105-3608
DIMENSIONS: mm 	TOLERANCES UNLESS OTHERWISE SPECIFIED: 0 PLC ± 1 PLC ± 2 PLC ±0.13 [0.005] 3 PLC ± 4 PLC ± ANGLES ±	PRODUCT SPEC APPLICATION SPEC	RECEPTACLE ASSEMBLY, EUROCARD, TYPE R, 96 POSITION WITH SPECIAL MOUNTING EAR
MATERIAL: HOUSING: 1 CONTACT: 2	FINISH: CONTACT: 3	WEIGHT: - CUSTOMER DRAWING	SIZE: A1 CAGE CODE: 00779 DRAWING NO: 148216 SCALE: 4:1 SHEET: 1 OF 1 REV: 0